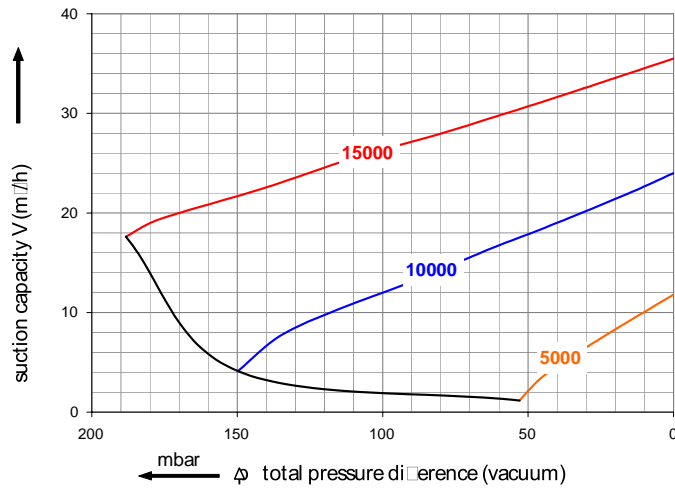


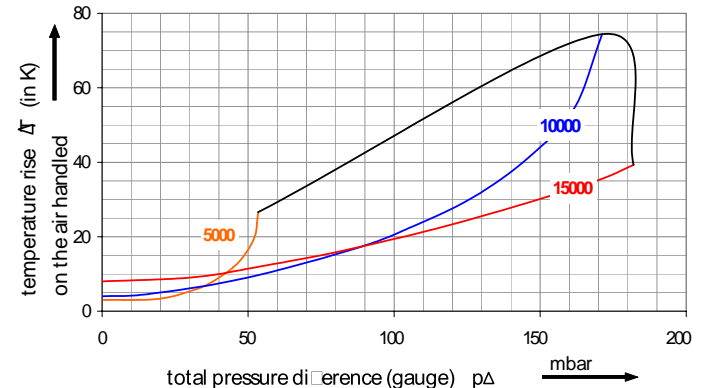
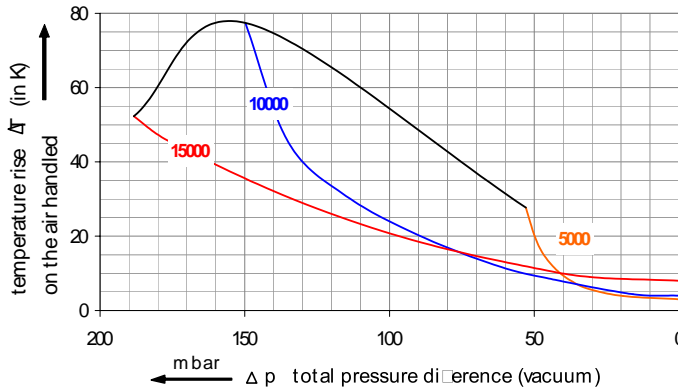
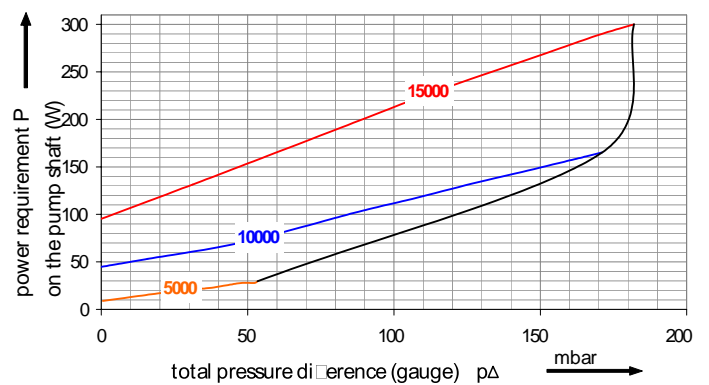
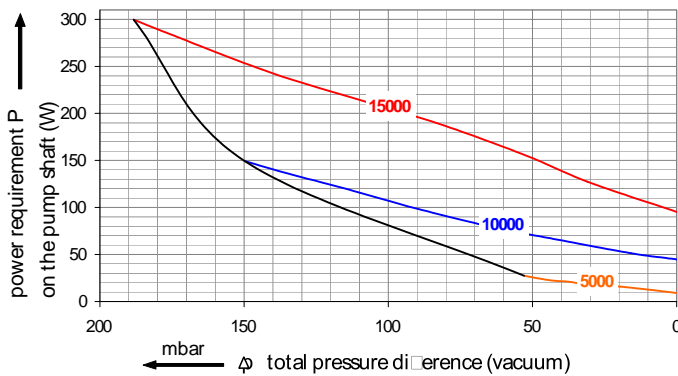
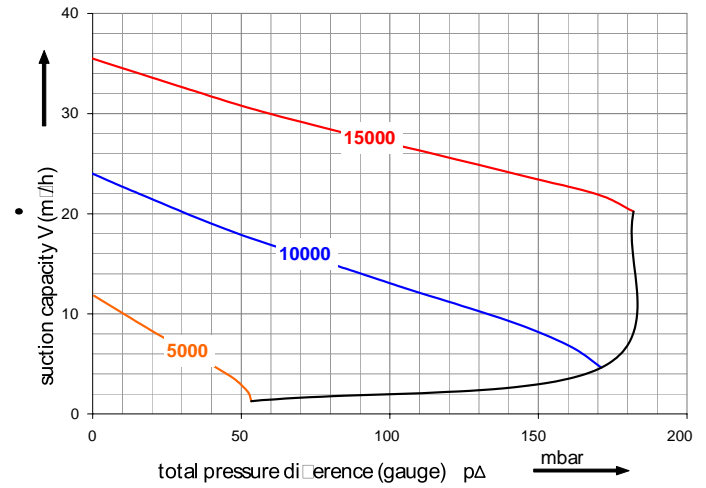
G_100

2BH1002- AA53

Performance curve for Vacuum pump



Performance curve for Compressor



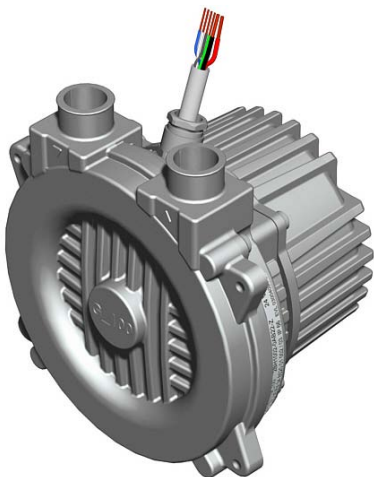
The performance curves are based on air at a temperature of 15 °C and an atmospheric pressure of 1013 mbar with a tolerance of +/- 10 %.
The total pressure differences are valid for suction and ambient temperatures up to 25 °C.
For other conditions please confer with us.

Each G_100 type can be applied both as vacuum pump and compressor in continuous operation over the total stated performance curve range. The protection category is IP66 and the blower is approved for UL and CSA.

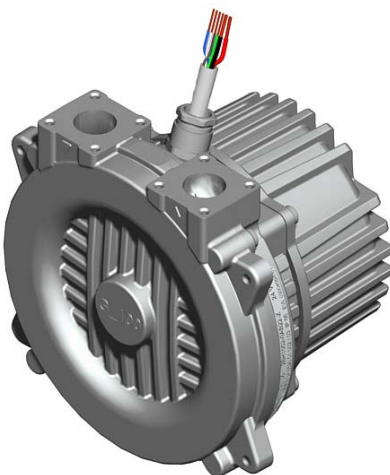
Selection and ordering data

Type 2BH1 002

Order No.	Gas ring blowers	electronic	Connection	Control voltage	Speed	max. Output power	Input current	Input voltage	Sound pressure level 3)	Weight Gas ring blowers	ext. electronic
				V	min ⁻¹	W	A	V	dB(A)	kg	kg
2BH1002-0AA53	external		hose connection	0-10		300	7.0	48	55	1.5	0.2
2BH1002-1AA53	external		flange connection	0-10		300	7.0	48	55	1.5	0.2
				10.0	15000						
				6.9	10000						
				3.5	5000						



2BH1002-0AA53



2BH1002-1AA53

All G_100 achieve the standards and norms of the low voltage directive 72/23/EWG, rotating electrotechnical motor EN 60034-1-34, electromagnetic compatibility (EMC) DIN EN 61000-3/-6/-4 for gas ring blowers.

The gas ring blowers are designed according to UL Standard for ELECTRIC FANS UL 507 and CSA 22.2 No 113 for Fans and Ventilators (Certificate Number E225239).

- 1) Measuring-surface sound-pressure level acc. to DIN EN 21680, measured at a distance of 1 m. The pump is throttled to an average suction pressure, a hose is connected to the discharge side (vacuum pump) / suction side (compressor), but is not fitted with relief valves.

Each G_100 type can be applied both as vacuum pump and compressor in continuous operation over the total stated performance curve range. The protection category is IP 66 and the blower is approved for UL and CSA.

Changes in particular the quoted performance curve, datas and weights without prior notice. The figures are without obligations.

Gardner Denver

*Elmo Rietschle is a brand of the
Gardner Denver Blower Division*

info@de.gardnerdenver.com
www.gd-elmorietschle.com

Gardner Denver Schopfheim GmbH

Roggenbachstraße 58
79650 Schopfheim - Germany

Tel.: +49 7622 392-0
Fax: +49 7622 392-300

Gardner Denver Deutschland GmbH

Industriestraße 26
97616 Bad Neustadt - Germany

Tel.: +49 9771 6888-0
Fax: +49 9771 6888-4000